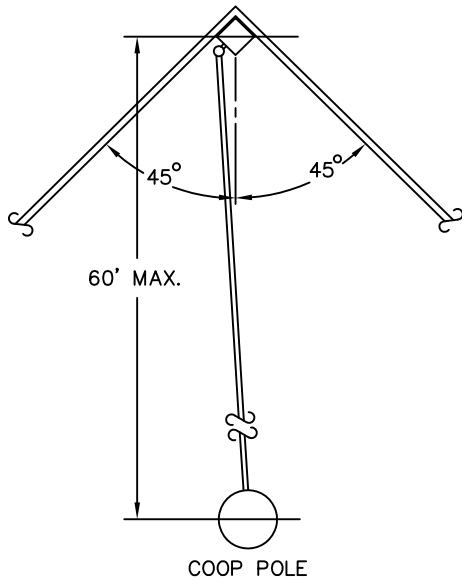


CUSTOMER OWNED POLE SUPPORT
 COOP WILL SPECIFY LOCATION
 NOT TO EXCEED 100FT.

SERVICE ENTRANCE CONDUCTOR SHALL EXTEND
 A MIN. OF 2'-0" OUT OF WEATHERHEAD.
 NEUTRAL SHALL BE CLEARLY MARKED.



MIN. 1" RIDGE CONDUIT AND
 WEATHERHEAD. SERVICE ENTRANCE
 CONDUCTORS SHALL BE SIZE #6
 COPPER OR #4 ALUMINUM.

THREE PIPE STRAPS
 2'-0" APART.

WEATHERPROOF
 MAIN PANEL WITHOUT
 OUTSIDE OPERATING
 HANDLE. BOX MUST BE
 GROUNDED. POLARIZED
 GROUNDING TYPE RECEPTACLES
 ARE REQUIRED.

GROUNDING CONDUCTOR #4
 SHALL BE COPPER.

SECURE GROUNDING CONDUCTOR
 EVERY 2'-0".

APPROVED GROUND CLAMP INSTALLED
 AND MAINTAINED BY CUSTOMER,
 SHALL BE ATTACHED TO AN APPROVED GROUND-
 ING ELECTRODE. (SEE NATIONAL ELECT-
 RICAL CODE, LATEST REVISION).

2" X 4" X 4'-0"

3'-0"

6'-0" MIN. OR 1/2 HEIGHT OF POLE

METER
 SOCKET

4'-6" MIN.
 5'-0" MAX.

11'-0" MIN.
 SEE NOTE 1

4'-0"
 MIN.

NOTES:

1. HEIGHT TO BE INCREASED IF REQUIRED FOR CLEARANCES OVER DRIVEWAYS, ETC.
2. SUPPORT MUST BE ABLE TO WITHSTAND 200 LB. PULL AT THE TOP.
3. SUPPORT SHALL BE 4"X 4"X 16' MINIMUM WOOD, BRACED AS SHOWN. BRACES SHALL BE 2" X 4" X 14' WOOD. PRESSURE TREATED WOOD IS REQUIRED.
4. GROUND WIRE TO TERMINATE IN PANEL WHEN USING ROUND SOCKET.
5. ALL 120, SINGLE PHASE OUTLETS SHALL BE PROTECTED BY GROUND FAULT CIRCUIT INTERRUPTERS. (GFCI)

SINGLE PHASE METERED CONSTRUCTION POLE FROM
 OVERHEAD SOURCE-70 AMPERE MAXIMUM

NO.	REVISION	DATE

JOE WHEELER ELECTRIC MEMBERSHIP
 CORPORATION
 TRINITY, ALABAMA

SCALE: NS